

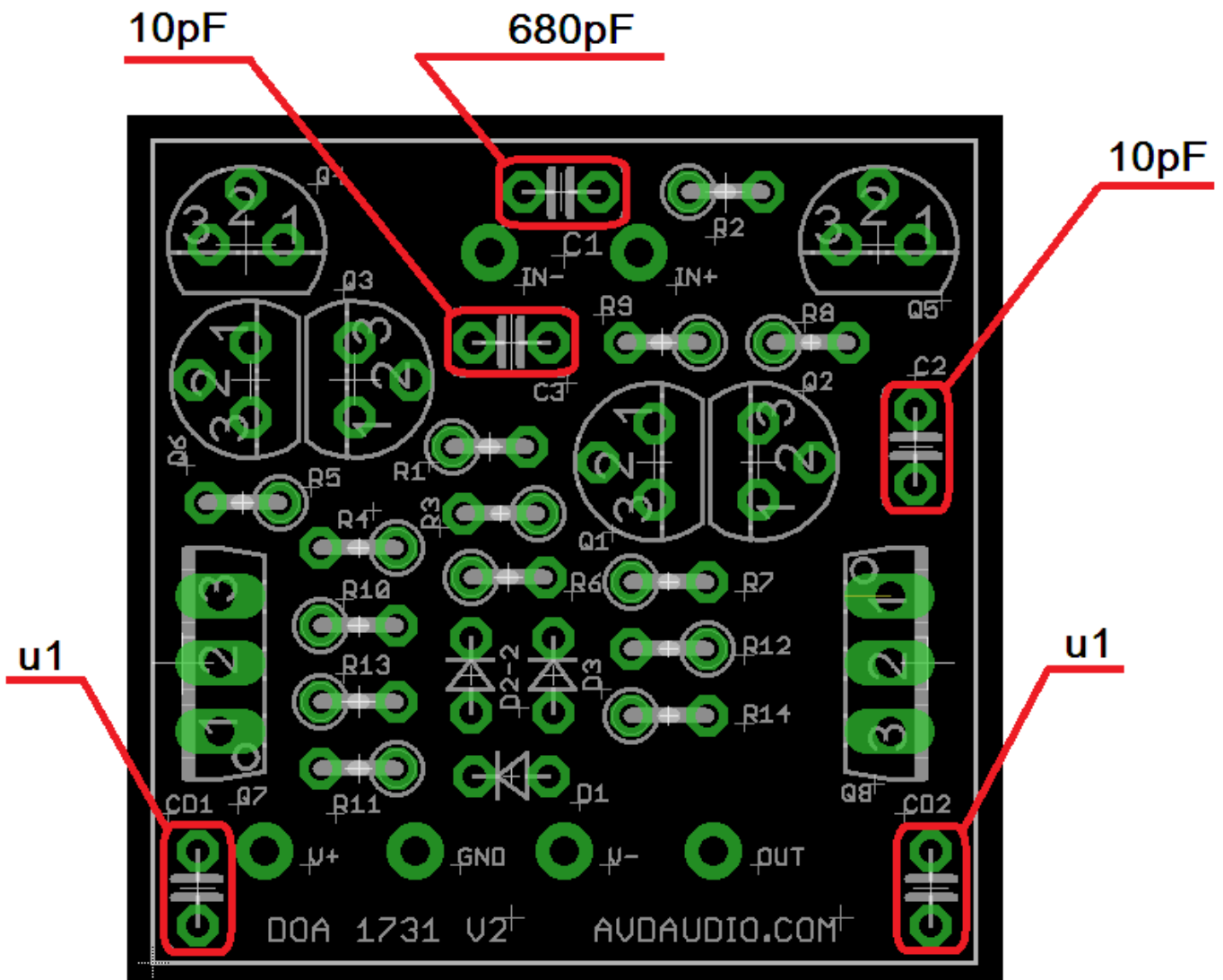
**DOA 1731 V2.
Assembly Manual.**



1. Soldering capacitors!

First step: First step: solder all capacitors in positions shown below:

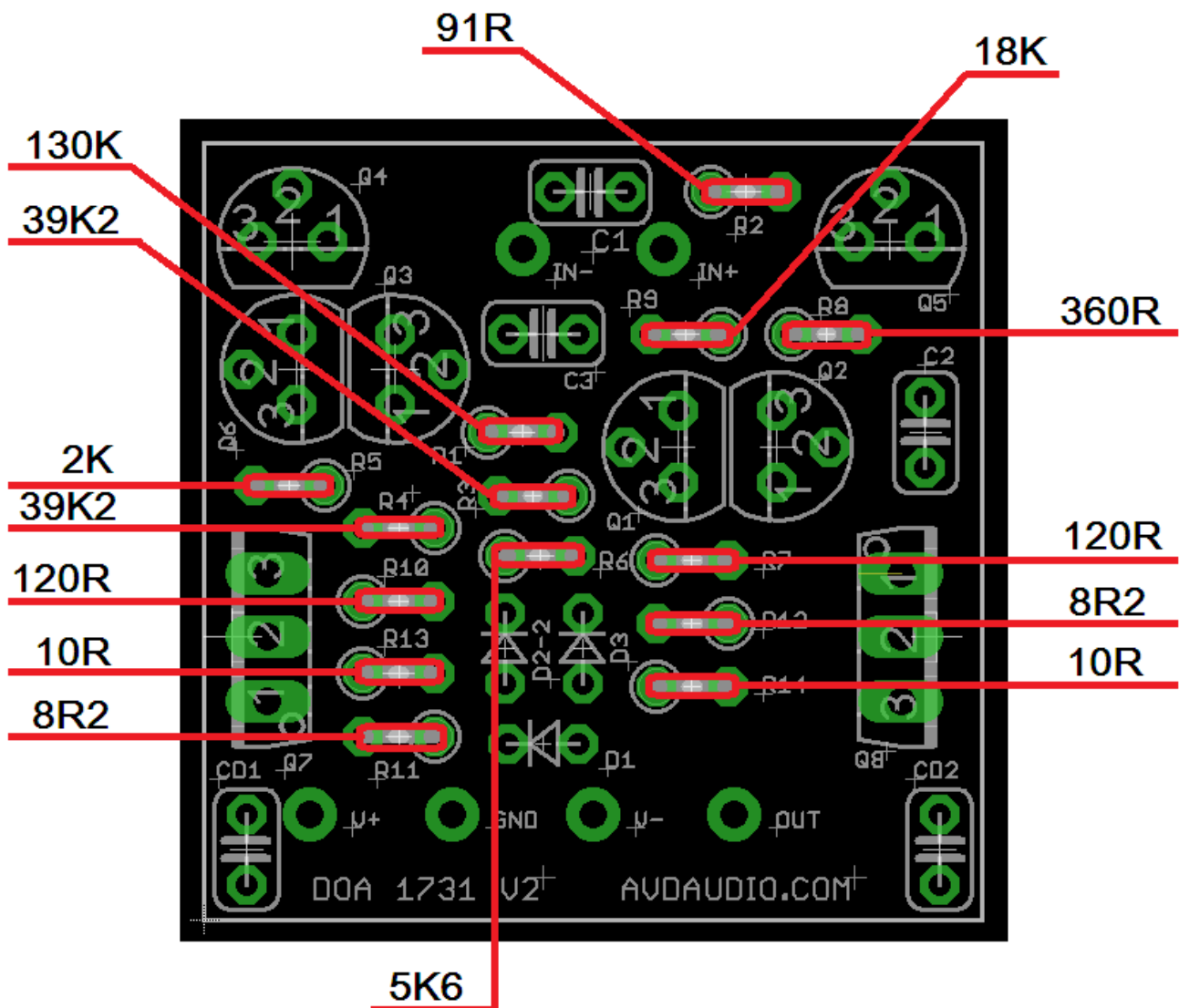
Note: Do not solder capacitor C1 (680pf) at this time. It will be soldered after PCB standoffs are installed.



2. Soldering resistors!

Second step: solder all resistors in positions shown below:

Note: Do not solder resistor R1 (91R) at this time. It will be soldered after PCB standoffs are installed.



3. Soldering diodes!

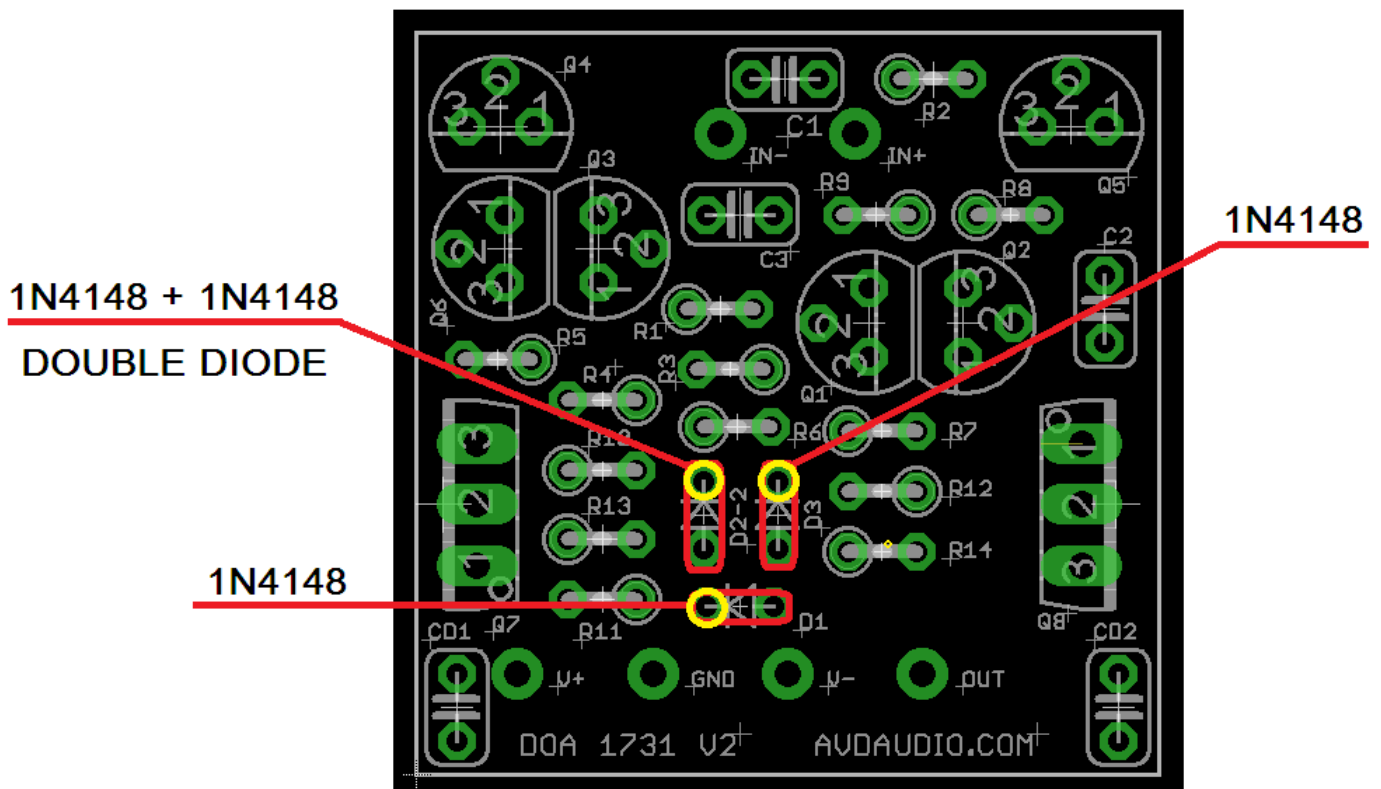
Third step: solder all diodes in positions shown below:

Important: Diode marked D2-2 must to be soldered as double diodes. See photo:

Diode 1N4148 looks as:



Insert the double diode with the black stripe (cathode) into the marked yellow circle.

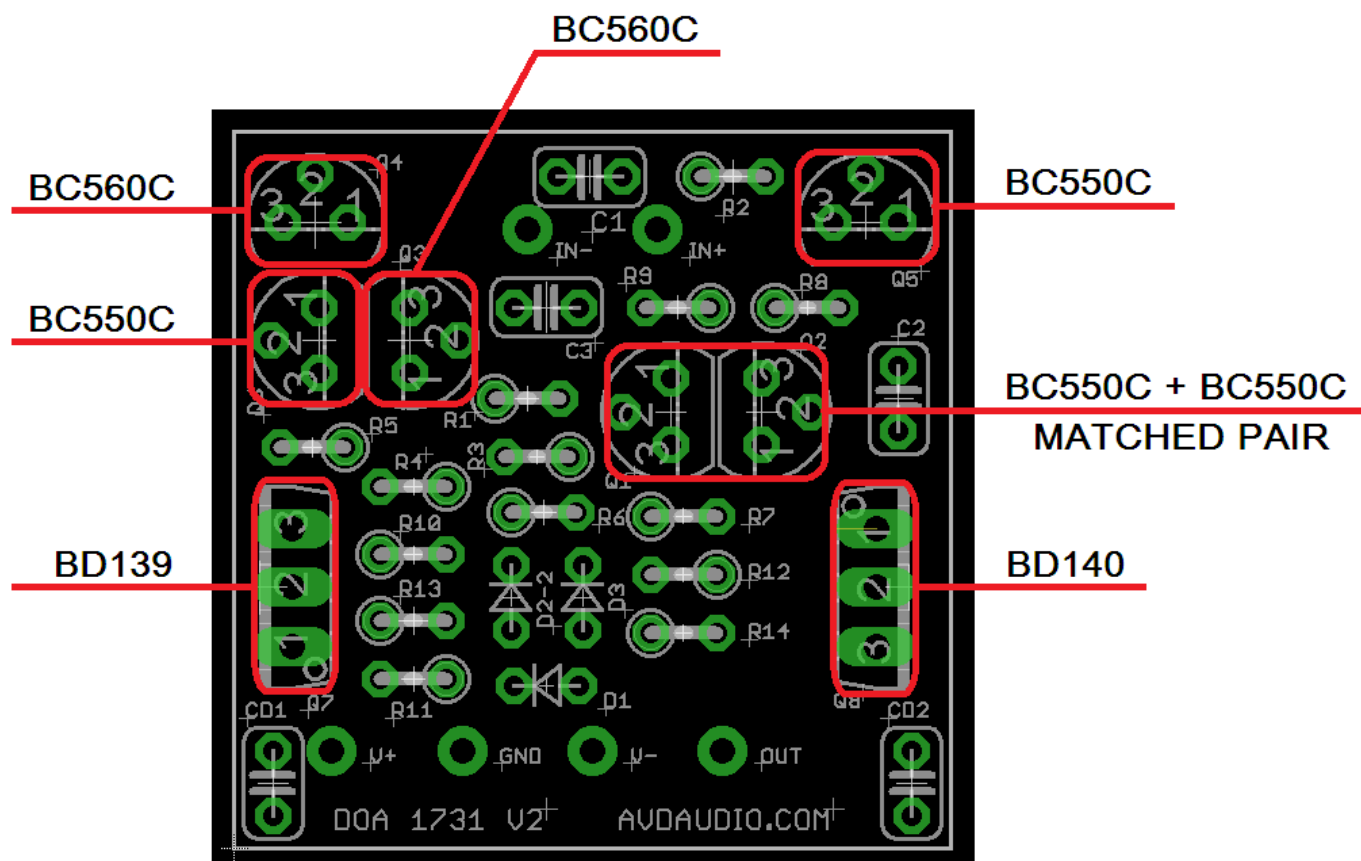


4. Soldering transistors!

Fourth step: solder all transistors in positions shown below:

Important: Transistors marked Q1 and Q2 are matched pair! You will find them in a separate package marked "matched pair".

Transistors Q7 and Q8 must to be soldered face to face. The back side of each should be facing out!



Parts for order:

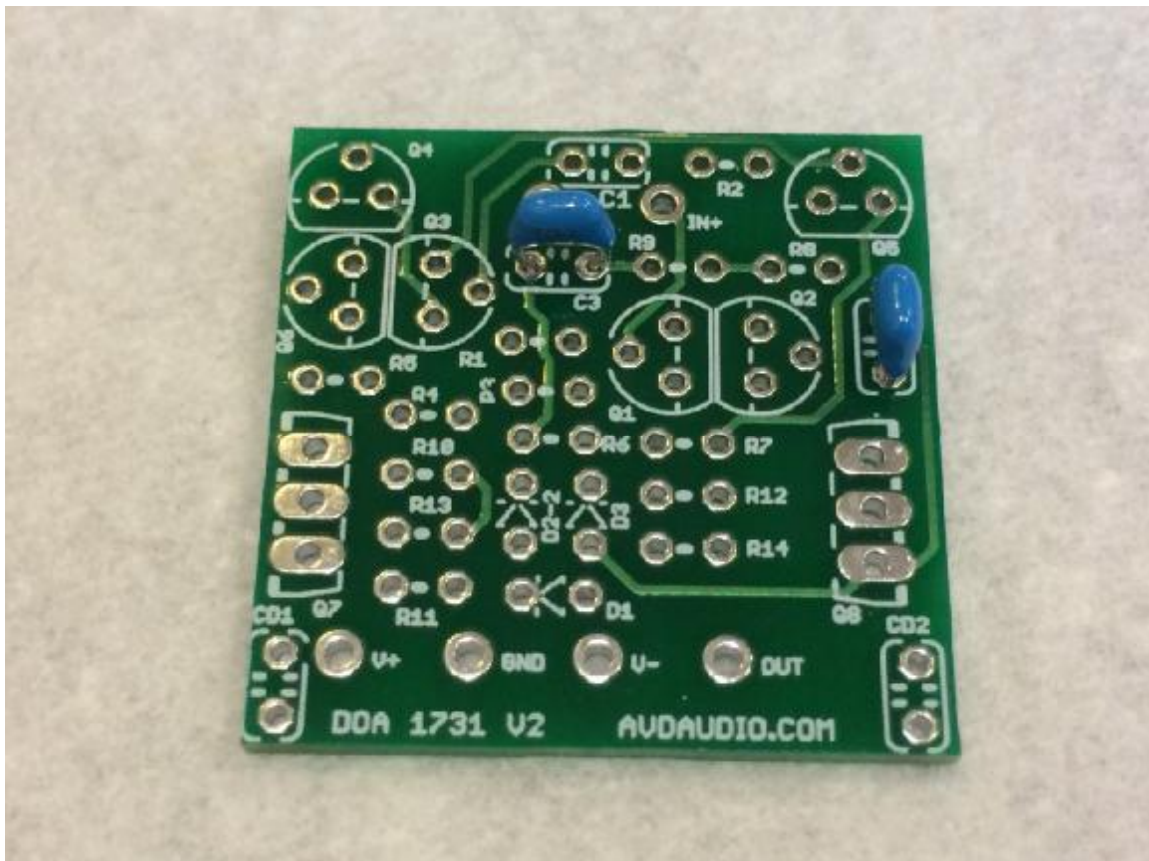
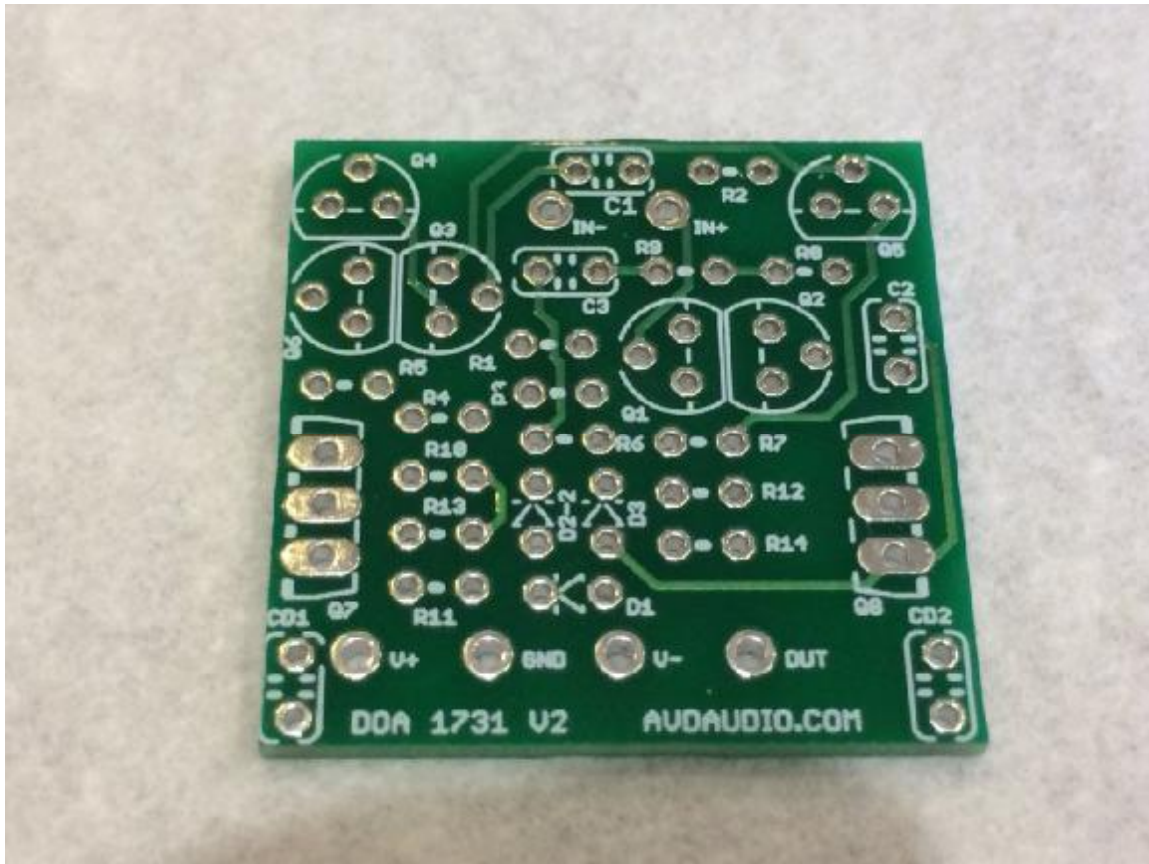
(Included in full kit)

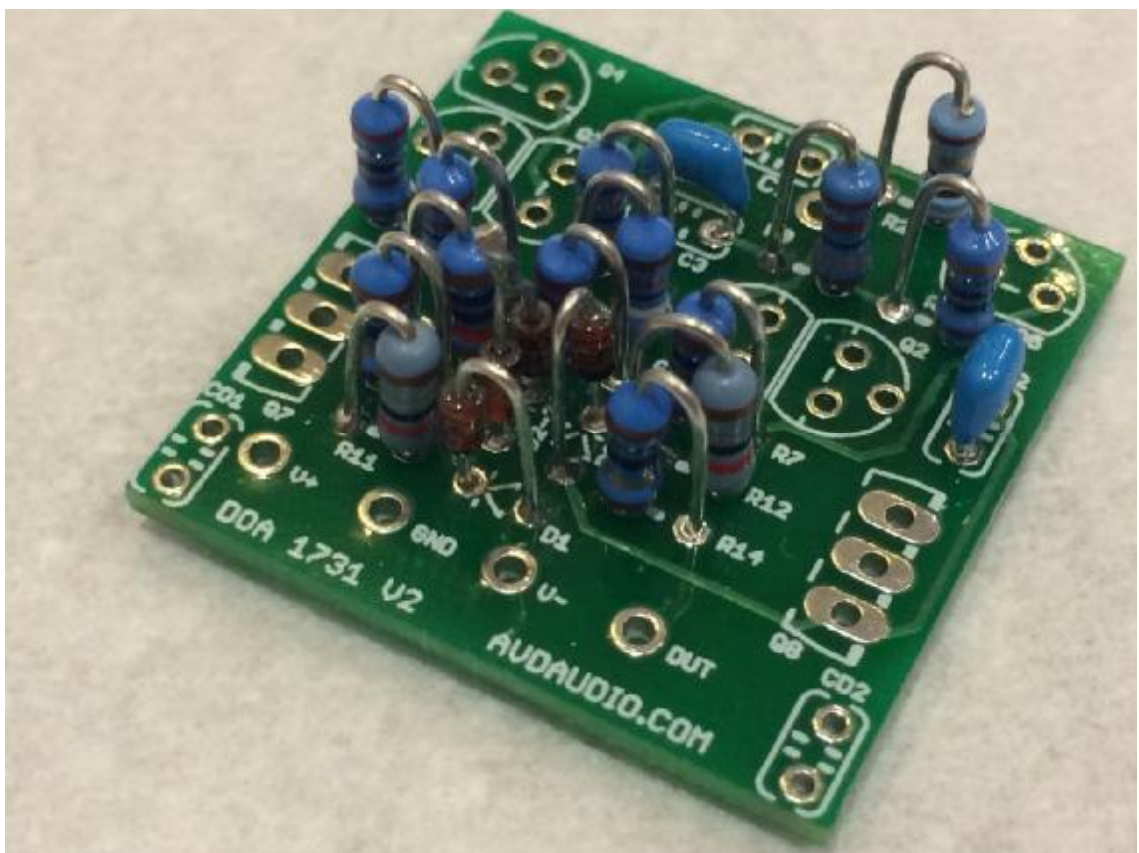
RESISTORS					
NUMBER	RESISTANCE	DESCRIPTION	NUMBER FOR ORDER	MANUFACTURER	
R1	130K	1% 0,25W	271-130K-RC	Xicon	
R2	91R	1% 0,25W	271-91-RC	Xicon	
R3,R4	39K2	1% 0,25W	271-39.2K-RC	Xicon	
R5	2K	1% 0,25W	271-2K-RC	Xicon	
R6	5K6	1% 0,25W	271-5.6K-RC	Xicon	
R7,R10	120R	1% 0,25W	271-120-RC	Xicon	
R8	360R	1% 0,25W	271-360-RC	Xicon	
R9	18K	1% 0,25W	271-18K-RC	Xicon	
R11,R12	8R2	5% 0,5W	293-8.2-RC	Xicon	
R13,R14	10R	1% 0,25W	271-10-RC	Xicon	
CAPASITORS					
NUMBER	CAPACITANCE	DESCRIPTION	NUMBER FOR ORDER	MANUFACTURER	Lead Spacing
C1	680pF	5% 50V, COG	RCE5C1H681J0A2H03B	Murata Electronics	2.5mm
C2,C3	10pF	5% 50V, COG	RCE5C1H100J0A2H03B	Murata Electronics	2.5mm
CD1,CD2	0.1uF	10% 50V, X7R	RDER71H104K0S1H03A	Murata Electronics	2.5mm
DIODES					
NUMBER	QUANTITY	DESCRIPTION	NUMBER FOR ORDER	MANUFACTURER	Lead Spacing
D1,D2-2,D3	4ps	100V	1N4148		
DIODES					
NUMBER	NAME	DESCRIPTION	NUMBER FOR ORDER	MANUFACTURER	Lead Spacing
Q1,Q2	BC550C	NPN, TO92	BC550CTA	Fairchild	Matched Pair
Q3,Q4	BC560C	PNP, TO92	BC560CTA	Fairchild	
Q5,Q6	BC550C	NPN, TO92	BC550CTA	Fairchild	
Q7	BD139-16	NPN, TO126	BD139-16	Fairchild	
Q8	BD-140-16	PNP, TO126	BD-140-16	Fairchild	
PINS					
NUMBER	NAME	DESCRIPTION	NUMBER FOR ORDER	MANUFACTURER	Lead Spacing
	6ps	Pins	3103-2-00-21-00-00-08-0	Mill-Max	

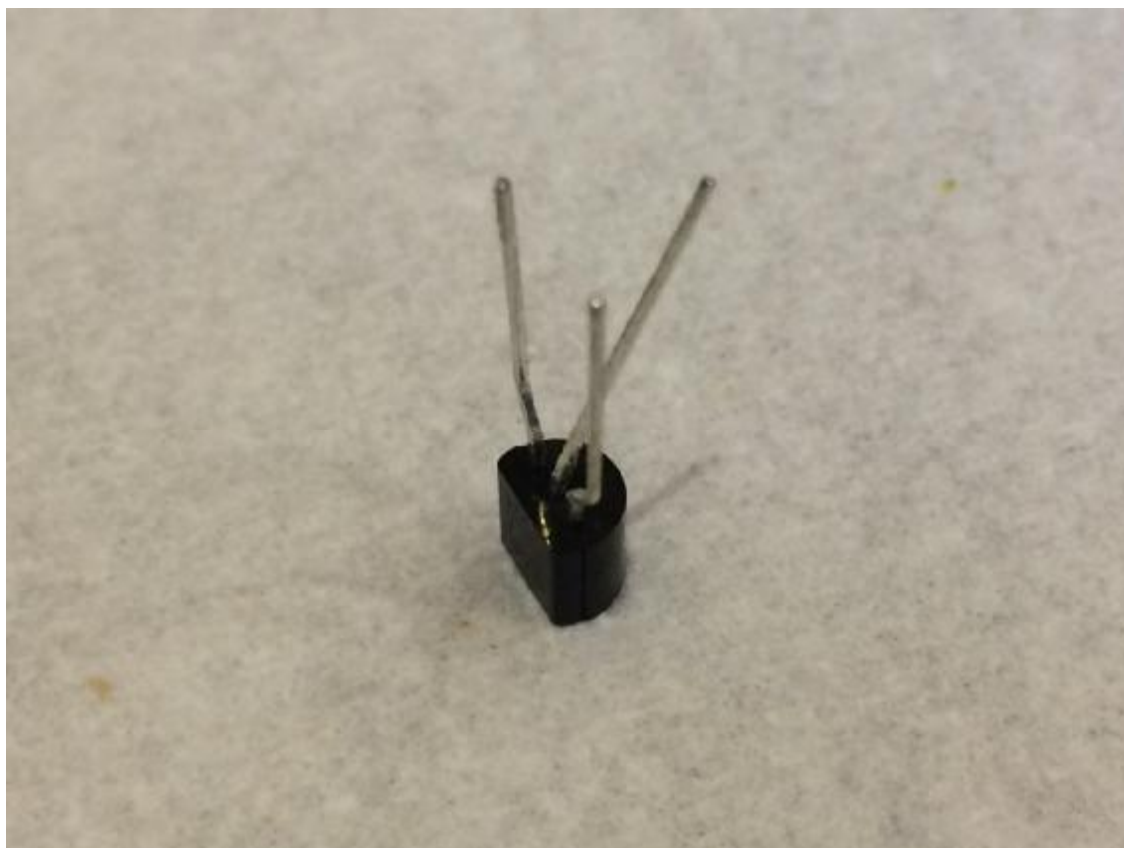
If you need more information, please, contact us:

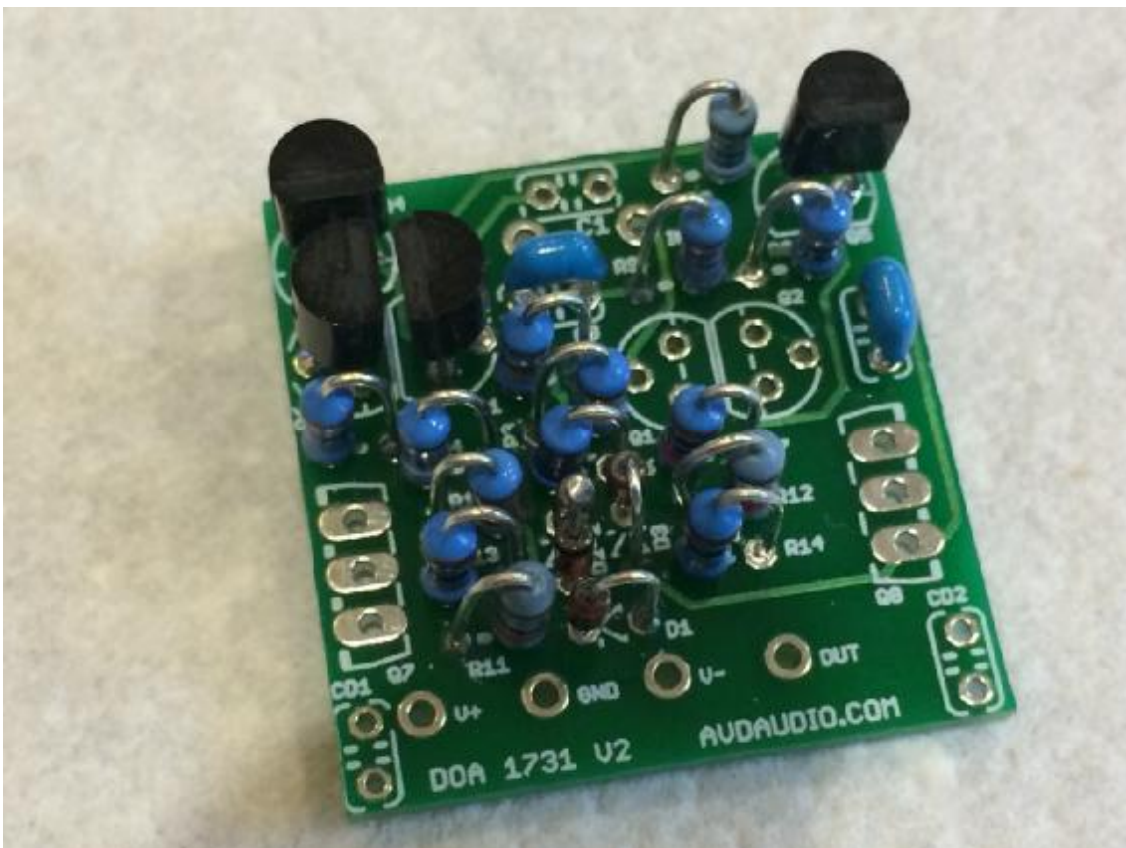
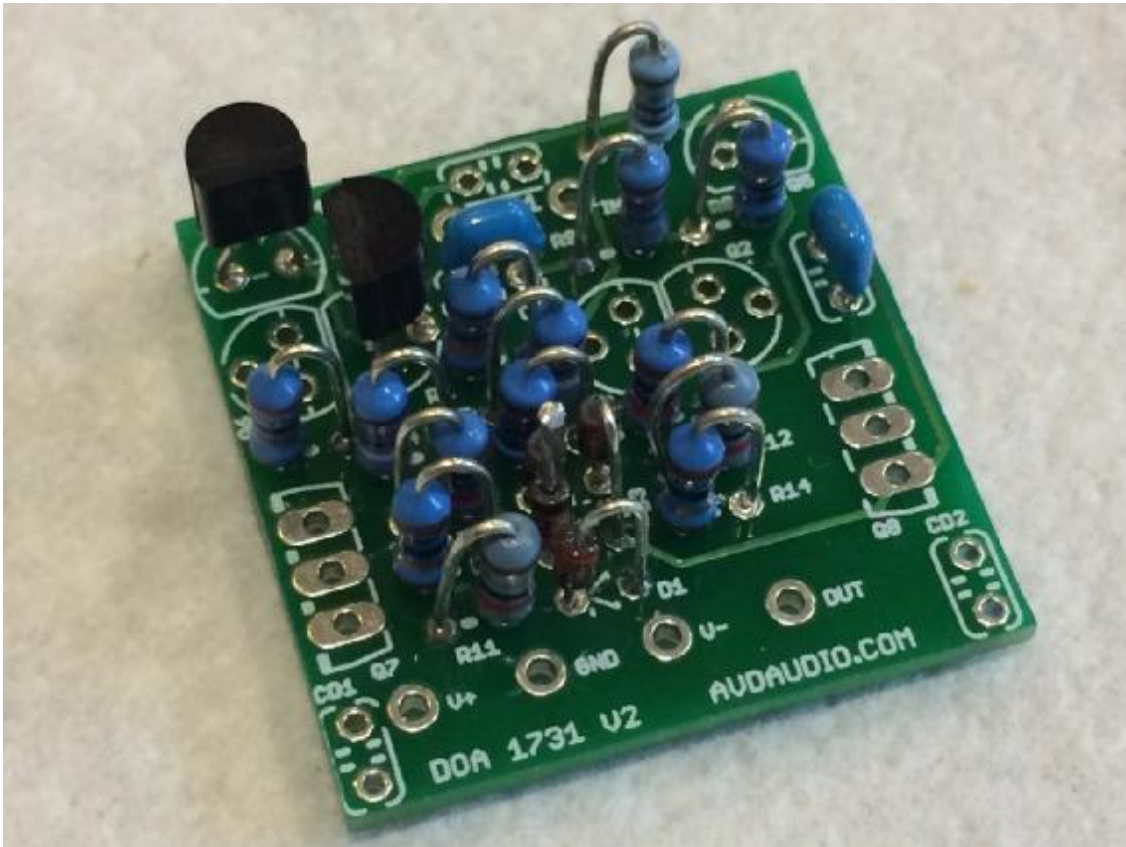
info@avdaudio.com

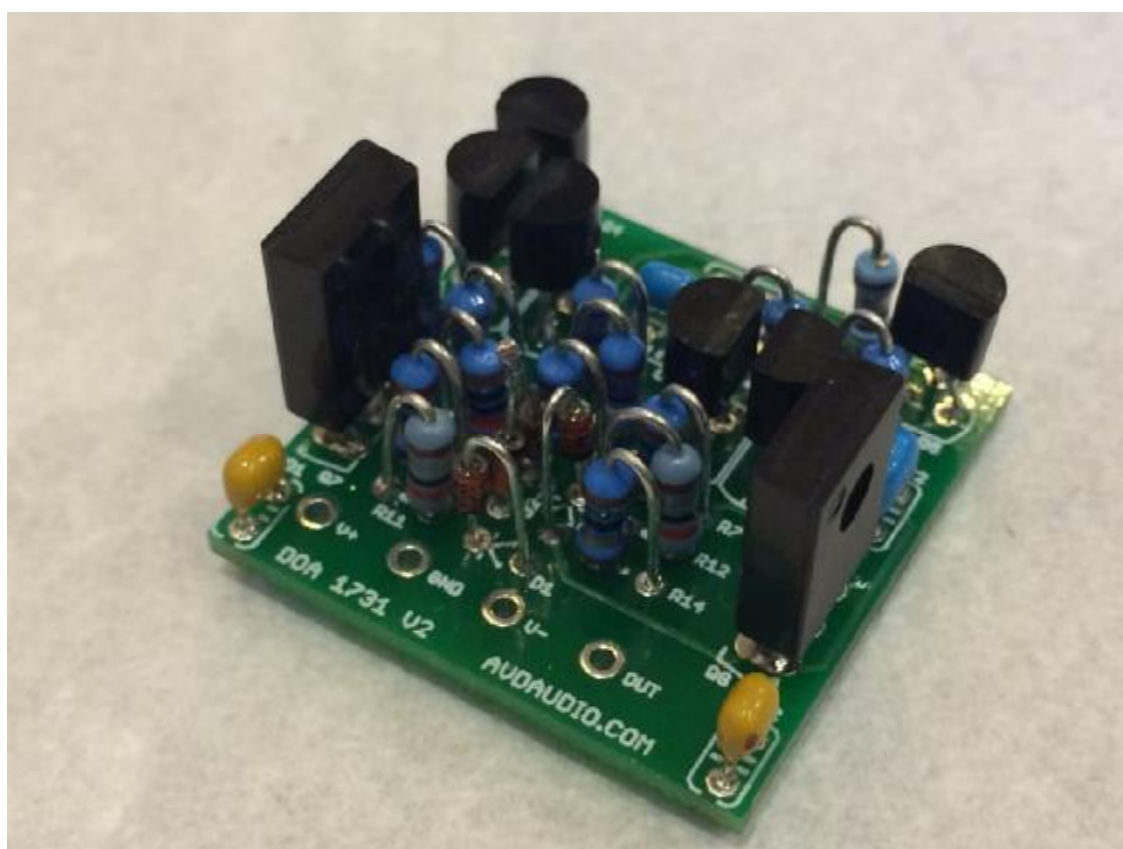
Assemblies Photos:

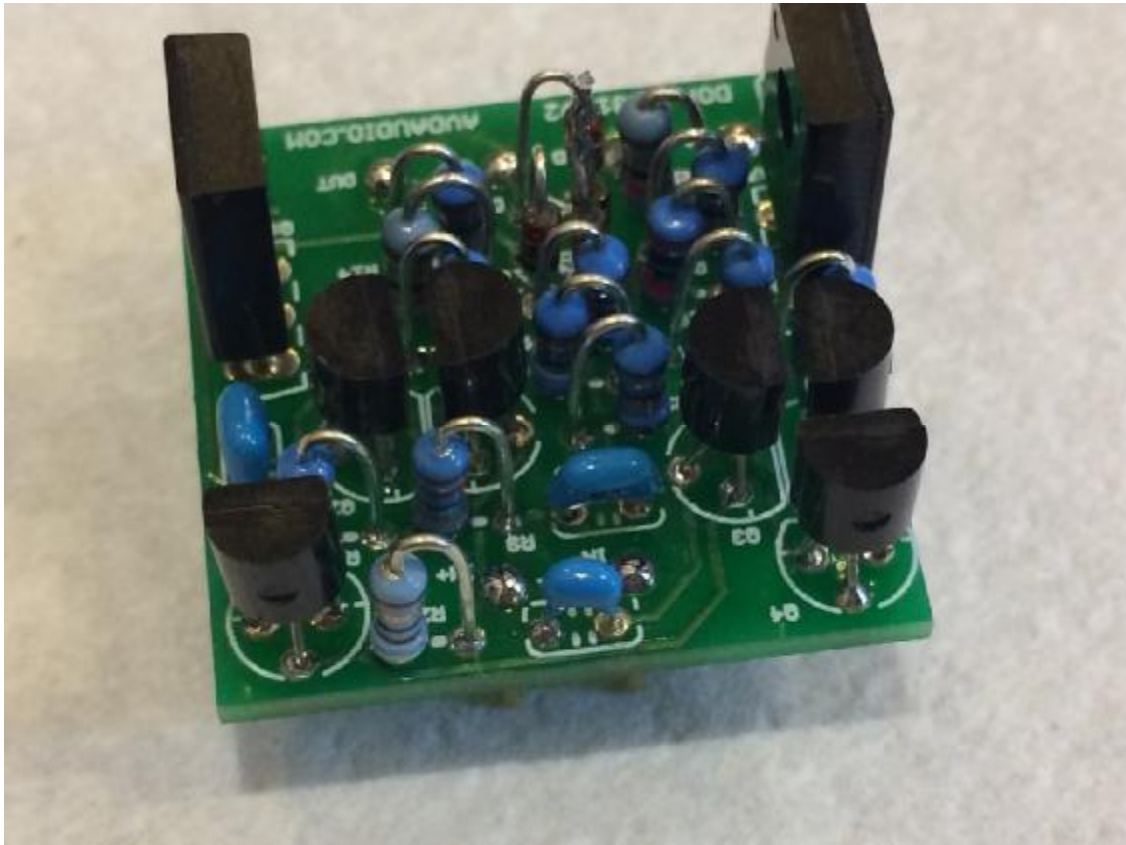












Please visit our website: www.avdaudio.com